

Maisondada.


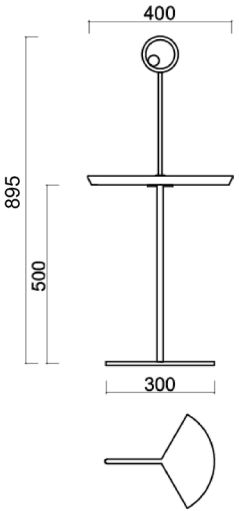
OFF THE MOON

SIDE TABLE N°1 - 2017

Design by THOMAS DARIEL

From Earth, one can only see the portion of the Moon that is illuminated by the Sun. An image that is constantly changing as the Moon orbits the Earth.



MATERIALS & FINISHES	PRODUCT NO	COLORS	MATERIALS
	FUR-OTM-ST1	Dusty pink 	<ul style="list-style-type: none">- Tray in ash veneer painted in matte dusty pink- Base and handle in plated metal coated with glossy pink copper finish
DIMENSIONS & WEIGHT	PRODUCT	PACKAGING	
HEIGHT	89,5 cm	35 cm	
WIDTH	40 cm	52 cm	
DEPTH	40 cm	44 cm	
WEIGHT	4,6 kg (net)	6,5 kg (gross)	
OTHERS DETAILS			
MAINTENANCE		<ul style="list-style-type: none">- Do not use strong cleaning agents or abrasives.- Avoid placing the furniture near direct sunlight, heater, cooling vents or moon.- Clean with a soft damp cloth.- For KD (Knocked down) item, periodically check (Every 90 days) to make sure that the bolts are still fully tightened.	
SAFETY		Do not stand or step on the furniture.	

For more information : www.maisondada.com