

Maisondada.

MAJOR TOM

SOFA - 2020

Design by THOMAS DARIEL

Major Tom's Seatings collection, designed by Thomas Dariel, includes Armchair, sofa and Ottoman and hails its name from the fictional character referenced in David Bowie's song « Space Oddity » that depicts an astronaut which casually slips the bonds of the world to journey beyond the stars.



MATERIALS & FINISHES

PRODUCT NO

FUR-MT-SOFA

UPHOLSTERY

CATEGORY A

Kvadrat - Sprinkles Collection - All Colors

Kvadrat - Uniform Melange Collection - All Colors

CATEGORY B

Kvadrat - Divina 3 Collection - All Colors

Kvadrat - Harald 3 Collection - All Colors

CATEGORY C

Kvadrat - Remix Collection - All Colors

* COM Fabric available

MATERIALS

- Structure in solid timber and plywood.
- Memory foam base and seating fully upholstered in fabric.
- Recommended fabric : Febrik Uniform Melange Collection from Kvadrat.
- Other fabric selection and COM option available.

DIMENSIONS & WEIGHT

HEIGHT

95 cm

99 cm

WIDTH

240 cm

244 cm

DEPTH

100 cm

105 cm

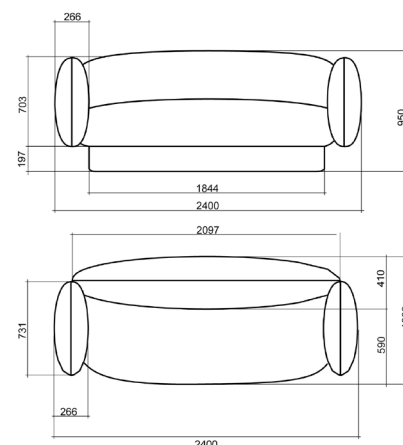
SEAT HEIGHT

45 cm

WEIGHT

75 kg (net)

85 kg (gross)



OTHERS DETAILS

MAINTENANCE

- Do not use strong cleaning agents or abrasives.
- Avoid placing the furniture near direct sunlight, heater, cooling vents or moon.
- Clean with a soft damp cloth.

- For more fabric instructions : <https://kvadrat.dk/care-and-maintenance>

SAFETY

Do not stand or step on the furniture.

For more information : www.maisondada.com