

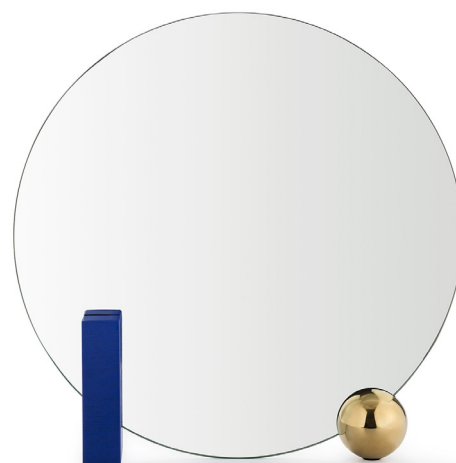
Maisondada.

LOOKING FOR DORIAN

TABLE MIRROR - 2017

Design by WUU

Looking for Dorian is shaped by a central round mirror that is supported on one side by a glistening rectangular marble-looking block and on the other one by a round glossy metal ball.



MATERIALS & FINISHES

PRODUCT NO

COLORS

MATERIALS

ACC-LFD

Green



- Rectangular block : green marble / metal coated with painted ash veneer

ACC-LFD-B

Blue



- Round ball : plated metal coated with glossy gold finish

ACC-LFD-W

Wood



- Back mirror in coloured-stained ash veneer, celadon colour
- Clear mirror

DIMENSIONS & WEIGHT

PRODUCT

PACKAGING

HEIGHT

50 cm

11 cm

WIDTH

50 cm

60 cm

DEPTH

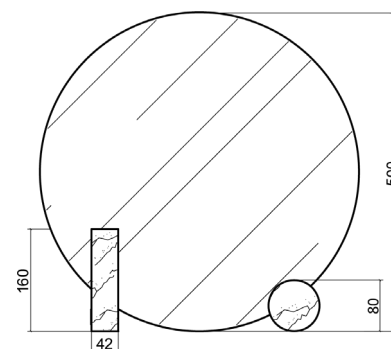
8 cm

54 cm

WEIGHT

6,6 kg (net)

7,9 kg (gross)



OTHERS DETAILS

MAINTENANCE

- Do not use strong cleaning agents or abrasives.
- Avoid placing the furniture near direct sunlight, heater, cooling vents or moon.
- Clean with a soft damp cloth.
- For KD (Knocked down) item, periodically check (Every 90 days) to make sure that the bolts are still fully tightened.
- For mirrors clean with a soft, lint-free cloth lightly moistened with alcoholic window cleaner.

SAFETY

- Take care when moving mirrors.
- Dropping mirrors will cause damage.

For more information : www.maisondada.com