

Maisondada.


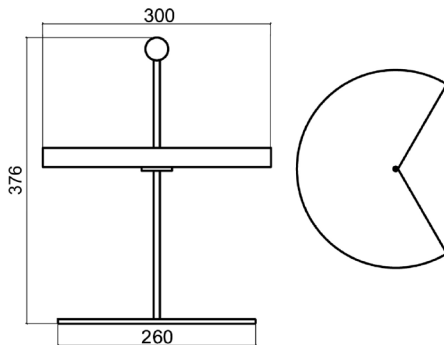
OFF THE MOON

CAKE STAND N°1 - 2017

Design by THOMAS DARIEL

From Earth, one can only see the portion of the Moon that is illuminated by the Sun. An image that is constantly changing as the Moon orbits the Earth. The collection draws its inspiration from this fascinating connectivity.



MATERIALS & FINISHES	PRODUCT NO	COLORS	MATERIALS
	ACC-OTM-CS1	Champagne 	Plated metal coated with glossy champagne finish
DIMENSIONS & WEIGHT	PRODUCT	PACKAGING	
HEIGHT	37,6 cm	45 cm	
WIDTH	30 cm	34 cm	
DEPTH	30 cm	34 cm	
WEIGHT	3,6 kg (net)	4,8 kg (gross)	
OTHERS DETAILS			
MAINTENANCE	<ul style="list-style-type: none"> - Do not use strong cleaning agents or abrasives. - Avoid placing the furniture near direct sunlight, heater, cooling vents or moon. - Clean with a soft damp cloth. - For KD (Knocked down) item, periodically check (Every 90 days) to make sure that the bolts are still fully tightened. 		
SAFETY	Do not stand or step on the furniture.		

For more information : www.maisondada.com